

S3 TANK SENDER

The S3 sensor is an dependable level monitoring solution for all types of tanks.

The sensor contains a series of reed switches, triggered by magnets in the float, to reliably show the level of the tank contents.

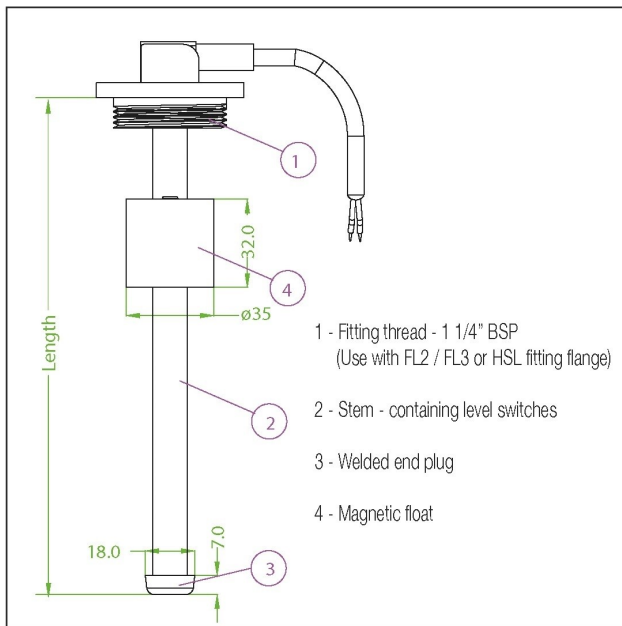
Robustly made from 316 stainless steel and fitted as original equipment for over 30 years by all the major British and European boat builders, our senders still work on the simple principle of twin magnets in the float tripping a series of reed switches securely housed, and doubly insulated inside the stainless tube.

Over the years senders have been improved with advances in reed switch technology, allowing us to fit far more switches inside the senders, giving the better resolution required by modern digital displays.

They have proved very reliable and are used by all major European truck and bus manufacturers and on many off road vehicles.

Longer senders and bespoke options are also available including different outputs; 0-5v, 0-10v, 4-20ma
There are two standard resistances, 0-190 ohm, used mainly in European gauges and 240-30 ohm used by American gauge manufacturers. Senders and gauges must have the same resistance range.

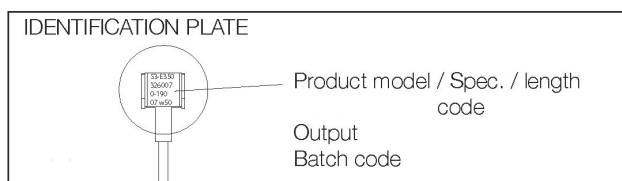
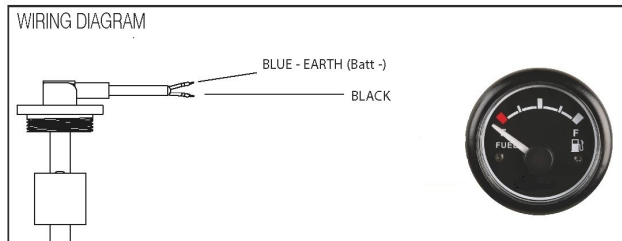
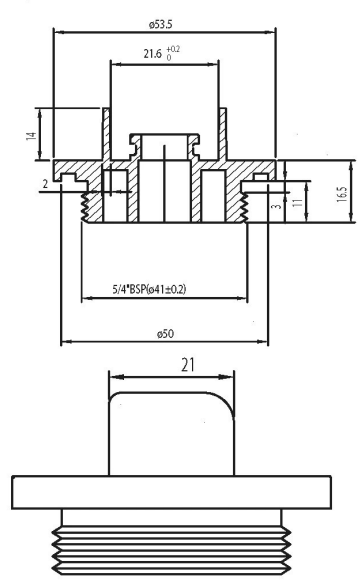
Maximum carrying current 1.2A; max switching current 0.5A, 10W max. The switching voltage should never exceed the Wattage rating. (10W)



S3 SENDER

Lengths:	150 - 600mm +
Output Options:	Resistance: 0-190 ohms or 240-30 ohms
Custom Output:	Voltage: 0-5 volts or 0-10 volts
or	Amps: 4-20 mA
Working Voltage:	12v or 24v - Sender draws power from the gauge
Tank Contents:	Diesel, petrol, fresh water, grey water, black water, oil etc
Thread:	1 1/4" BSP (parallel)
Material:	316 Stainless steel
Protection:	IP67
Torque Settings:	Steel flange: 9 ± 1Nm / Nylon Flange: 7 ± 1Nm

S3 SENDER HEAD

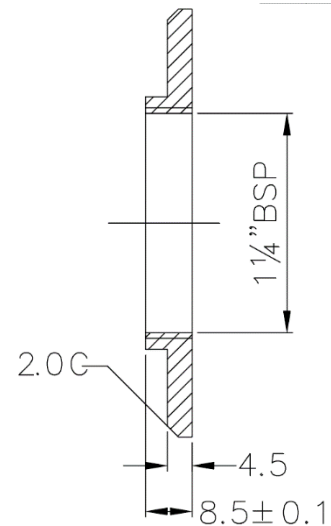
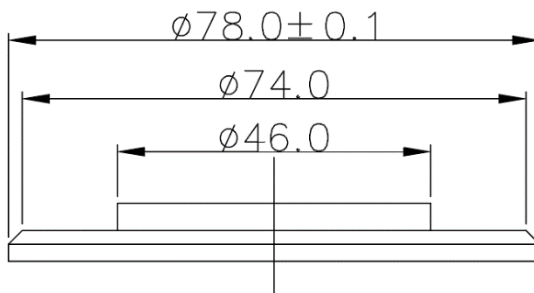
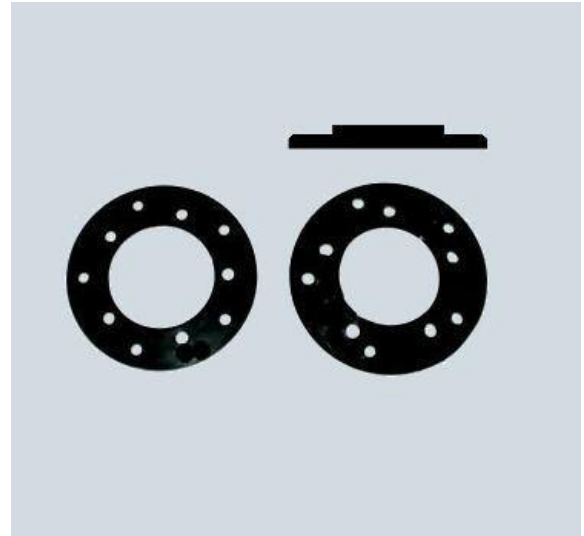


TOLERANCE CLASS	FROM 0.5 UP TO 3	FROM 3 UP TO 6	FROM 6 UP TO 30	FROM 30 UP TO 120	FROM 120 UP TO 400	FROM 400 UP TO 1000
ISO2768 M	±0.1	±0.1	±0.2	±0.3	±0.5	±0.8

1 1/4" BSP thread to Dual 5 hole Pattern Adaptor

Converts to SAE 5 hole or VDO 5 hole pattern for retro-fitting

Part No EN-TS-FL-2



- Converts to SAE 5 hole or VDO 5 hole pattern for retro-fitting
- 1 1/4" BSP thread to dual 5 hole pattern
- Supplied with Nitrile rubber gasket
- Screw hole size - 5mm
- Perfect for use in retrofitting floating arm sender to give female thread for standard S3 type sender

Nylon Flange used for mounting the S3 fuel or water sender Fitted to topside of tank to create 1 1/4" BSP thread. Hole pattern is standard SAE 5 hole. Can be used with VDO-U inner ring

MOUNTING EXAMPLE:

When mounting the FL-2, cut a 45mm hole in the tank where the sensor is to be placed. Mount the FL-2 with rubber gasket on tank top. When all 5 screws are securely tightened, the S3 sensor, with its O-ring, can be screwed into the FL-2 flange.



Enerdrive Tank Senders

Suitable for Water, Grey Water, Fuel, Diesel

Data Signal Output Information Per Sender Unit 240ohm = Empty

EN-TS150 (L-mm)		EN-TS175 (L-mm)		EN-TS200 (L-mm)		EN-TS225 (L-mm)		EN-TS250 (L-mm)		EN-TS275 (L-mm)		EN-TS300 (L-mm)		EN-TS325 (L-mm)	
H (mm)	S (ohm)	H (mm)	S (ohm)	H (mm)	S (ohm)	H (mm)	S (ohm)	H (mm)	S (ohm)	H (mm)	S (ohm)	H (mm)	S (ohm)	H (mm)	S (ohm)
>126	33	>147	33	>170	33	>199	33	>222	33	>242	33	>265	33	>298	33
126	49	147	44	170	49	199	49	222	49	242	49	265	44	298	44
108	65	137	55	151	65	178	65	201	65	221	65	244	55	272	55
96	78	127	66	130	78	157	78	180	78	200	75	223	66	251	66
84	91	117	76	114	91	136	91	159	91	179	85	202	79	230	76
72	104	107	86	98	104	115	104	138	104	158	95	181	92	209	86
60	124	97	96	82	116	99	113	117	117	137	105	160	105	188	96
48	144	87	106	66	128	83	122	96	130	116	118	139	114	167	105
36	191	77	116	50	140	67	131	75	143	95	131	139	114	188	96
25	242	67	128	40	240	51	140	54	190	74	114	118	123	167	105
		57	140			39	240	40	240	53	191	97	132	146	114
		47	240							40	242	76	141	125	123
												55	192	104	132
												42	239	88	142
														72	175
														58	208
														46	240

EN-TS350 (L-mm)		EN-TS375 (L-mm)		EN-TS400 (L-mm)		EN-TS425 (L-mm)		EN-TS450 (L-mm)		EN-TS475 (L-mm)		EN-TS500 (L-mm)	
H (mm)	S (ohm)	H (mm)	S (ohm)	H (mm)	S (ohm)	H (mm)	S (ohm)	H (mm)	S (ohm)	H (mm)	S (ohm)	H (mm)	S (ohm)
>316	33	>348	33	>369	33	>398	33	>418	33	>448	33	>470	33
316	44	348	41	369	41	398	39	418	39	448	40	470	39
295	55	323	49	348	50	377	45	393	45	422	47	448	45
274	66	302	58	327	59	356	52	372	52	401	53	427	52
253	74	281	66	306	68	335	58	351	58	380	60	406	58
232	81	260	76	285	77	314	64	330	64	359	67	385	64
211	89	239	86	264	86	293	72	309	72	338	74	364	70
190	97	218	96	243	95	272	80	288	80	317	81	343	76
169	106	197	106	222	104	251	89	267	89	296	87	322	83
148	115	176	113	201	112	230	97	246	97	275	94	301	90
127	124	155	120	180	119	209	105	225	105	254	101	280	97
106	133	134	127	164	128	167	120	204	112	233	108	259	104
85	142	113	135	146	128	146	128	183	120	212	115	238	110
71	175	92	142	135	135	125	135	162	127	191	121	217	116
55	208	72	175	117	142	104	143	141	135	170	128	217	116
41	241	60	208	96	164	83	176	99	165	149	135	196	122
		46	240	75	186	62	209	78	187	128	142	175	128
				54	213	41	241	62	213	107	162	154	135
				40	243			46	240	86	182	133	141
										70	202	112	161
										56	222	91	181
										44	240	76	201
												59	221
												45	240

